

FAB REFRIGERATION

FAB32 50'S STYLE RETRO REFRIGERATOR



Finish	Black, Cream, White, Red, Pastel Green, Pastel Blue
Dimensions	601mmW x 1980mmH x 768mmD (includes handle)
Volume	Refrigerator: 234L Freezer: 97L Total: 331L

REFRIGERATOR

No. Shelves	2 x Quick chill glass 1 x Deli cover 1 x Crisper cover
No. Drawers	1 x Crisper drawer 1 x Life Plus 0°C drawer
Lighting	LED

Inner Fridge Door)

No. Shelves	1 x shelf with transparent cover 1 x adjustable with wire support 1 x bottle shelf with wire support
-------------	--

FREEZER

No. Shelves	2
No. of drawers	3 x plastic drawers
Accessories	1 x Fast freezing compartment
Defrost	Total Frost Free

Performance

Energy Consumption	298kWh/year
Star Rating	4 Star
Noise	37 dBA
Power	220-240V, 50/60Hz 10A (3-pin plug)
Warranty	5 years parts and labour



PERFECT BLEND OF ARTISTRY & FUNCTIONALITY

Like other timeless designs, the original Smeg FAB refrigerator is more than just a mere fridge. It's the focal point of the kitchen, bringing together unquestionable style and premium performance. Always evocative and eclectic, FAB fridges have become standard bearers for "Made in Italy" design all over the world with their inimitable blend of artistry and functionality.

TEMPERATURE CONTROL WITH LED DISPLAY

Set the optimal conditions for a variety of food and beverages with Smeg's electronic temperature control display. At the touch of a button, accurately monitor temperature for fridge and freezer with a simple to use LED display.

LIFE PLUS 0°C DRAWER

This drawer provides a controlled temperature zone for better and longer preservation of perishable food such as meat, fish and dairy products.

MULTI-FLOW COOLING SYSTEM

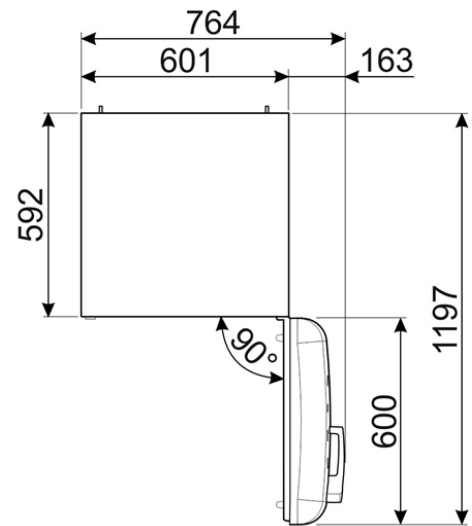
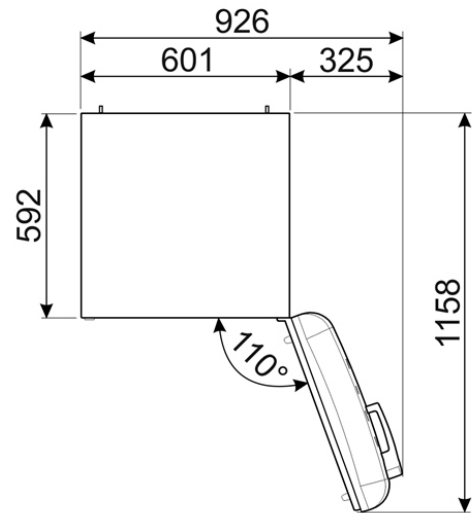
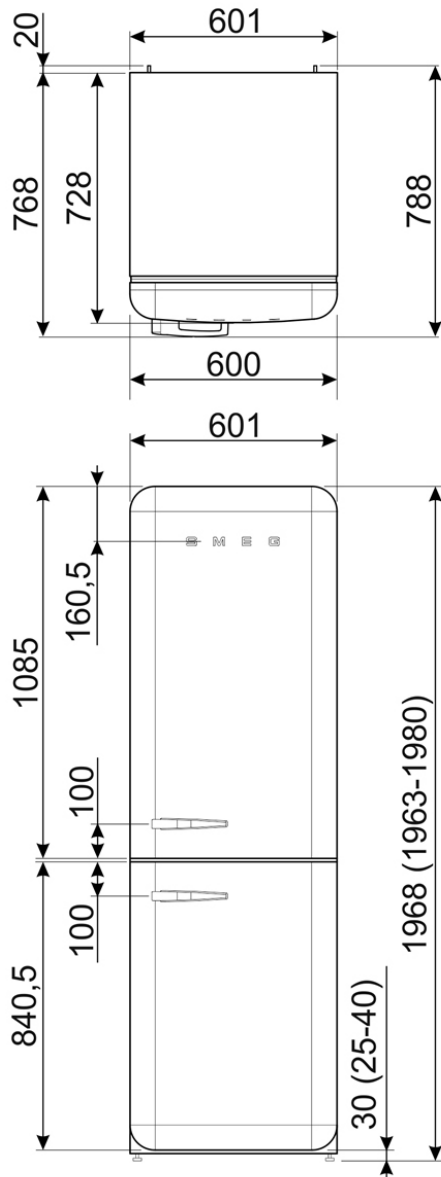
MultiFlow accelerated air circulation technology provides a constant temperature in all section of the refrigerator, except for the Fresh Plus Zone where the temperature is maintained around 0°C. Compared to conventional systems, the multi-flow cooling system delivers the most efficient cooling of food, keeping the freshness, aroma, and nutrients of fruit, vegetables, and meat much longer.



ID211108

FAB REFRIGERATION

FAB32
50'S STYLE RETRO REFRIGERATOR



PLEASE NOTE: drawings are not to scale. They are to assist only.
WARNING: technical specifications and product sizes can be varied by the manufacturer without notice.
Cutouts for appliances should only be by physical product measurements. The above information is indicative only.

FAB REFRIGERATION

FAB32
50'S STYLE RETRO REFRIGERATOR



FAB32LBL5AU
FAB32RBL5AU
Black



FAB32LCR5AU
FAB32RCR5AU
Cream



FAB32LWH5AU
FAB32RWH5AU
White



FAB32LRD5AU
FAB32RRD5AU
Red



FAB32LPG5AU
FAB32RPG5AU
Pastel Green



FAB32LPB5AU
FAB32RPB5AU
Pastel Blue